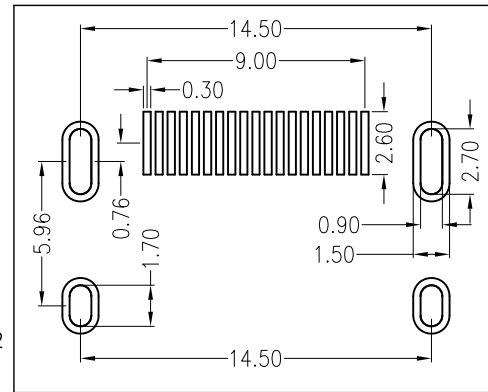
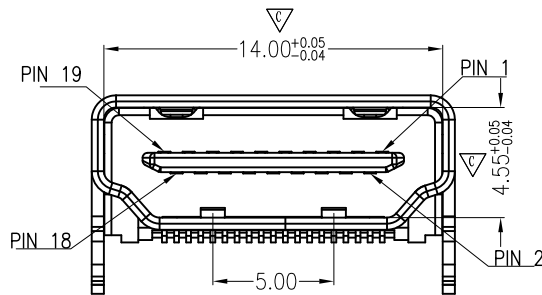
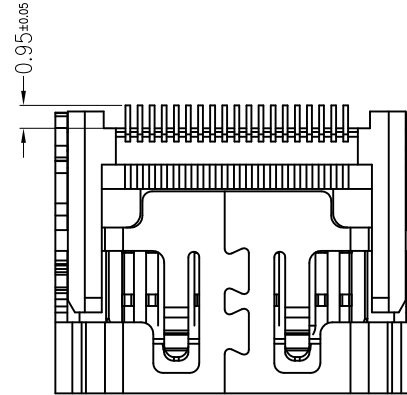
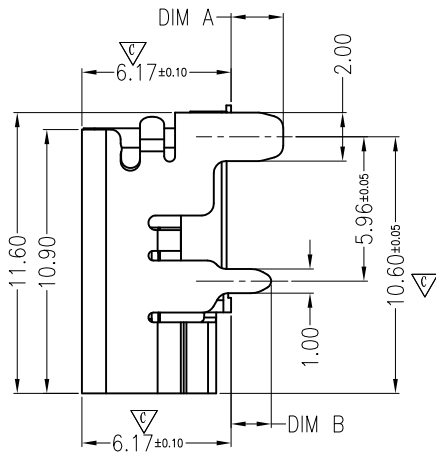
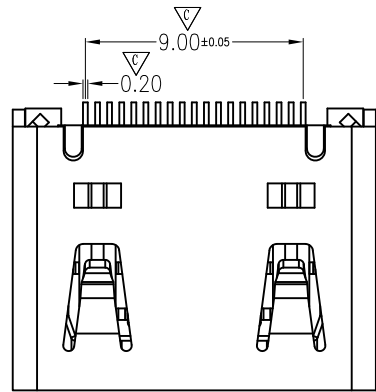
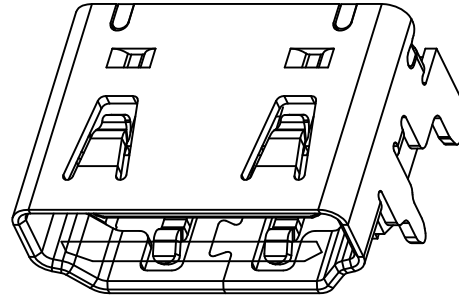
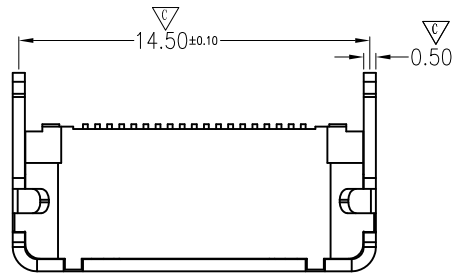


REV.	DESCRIPTION	NAME	DATE
A	NEWS ISSUE	LXH	2018/01/18



RECOMMENDED P.C.B HOLE LAYOUT
COMPONENT SIDE VIEW(TOLERANCE: +/-0.05)

说明:

1. 材质:

胶芯:LCP,UL94V-0; COLOR; BLACK
端子: C2680
外壳: SPCC

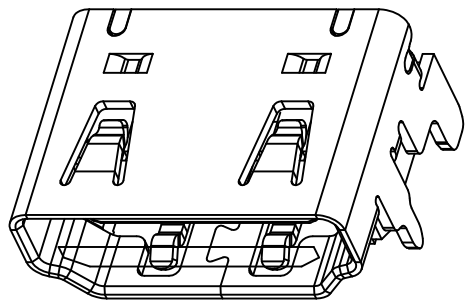
2. 电镀说明:

端子: 接触区域镀金
焊锡区域镀雾锡100 u"Min
全部区域镍底50 u" Min
外壳: 表面镀镍100 u" Min

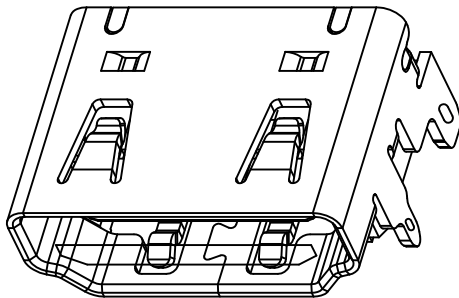
3. 电气性能:

绝缘阻抗 (EIA-364-21) :100 MΩ MIN.
AT 500V/DC FOR 1 MINUTE.
接触阻抗 (EIA-364-06) 30 mΩ MAX.
耐电压 (EIA-364-20) NO DISCHARGE,
FLASHOVER OR BREAKDOWN
AT 500 V/AC 1MINUTE.

TOLERANCE UNSPECIFIED		 东莞市韩晶电子有限公司							
.0	±0.35					TITLE: HDMI A TYPE 板上型			
.00	±0.25	DRAWN	LXH	DATE	2018/01/18	SIZE:A4	UNIT:mm.	PART. NO:	HA01-N1XX-X1-1
.000	±0.15	CHECKED	LCY	DATE	2018/01/18	SCALE: 1:1	PROJECTION		REV. : A
X.°	±2.00°	APPROVED	LCY	DATE	2018/01/18	DWG	PATH	C00-0000-0024	PATH 1/3
CUSTOMER DRAWING									



脚无凸点



脚有凸点

4. P/N:

HA 01-N1XX- X1-1

01: 代表铁壳
02: 代表铁壳

N1: 代表外壳镀镍

外壳脚规格:

规格	DIM A	DIM B	外壳脚凸点
1	2.16	1.66	无凸点
2	2.16	1.66	带凸点
3	1.50	1.50	无凸点
4	2.20	2.20	无凸点
5	1.50	1.50	带凸点

L1: 代表端子半金锡0.5U"

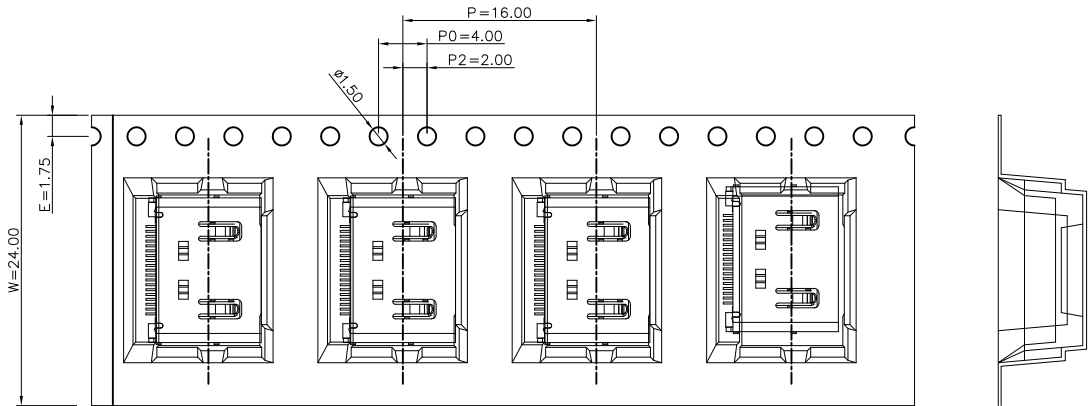
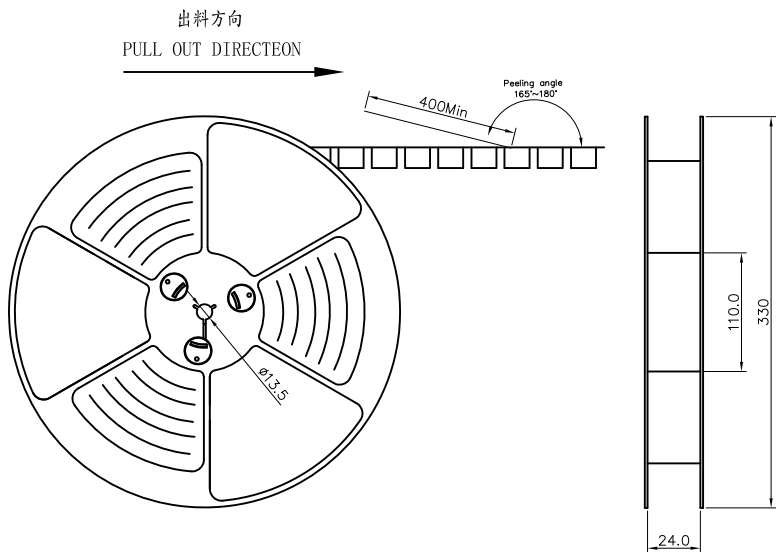
L2: 代表端子半金锡1U"

L3: 代表端子半金锡3U"

PIN	Signal Assignment
1	TMDS Data2+
3	TMDS Data2-
5	TMDS Data1 Shield
7	TMDS Data0+
9	TMDS Data0-
11	TMDS Clock Shield
13	CEC
15	SCL
17	DDC/CEC Ground
19	Hot Plug Detect

PIN	Signal Assignment
2	TMDS Data2 Shield
4	TMDS Data1+
6	TMDS Data1-
8	TMDS Data0 Shield
10	TMDS Clock+
12	TMDS Clock-
14	Utility
16	SDA
18	+5V Power

TOLERANCE UNSPECIFIED		 东莞市韩晶电子有限公司						
.0	±0.35					TITLE: HDMI A TYPE 板上型		
.00	±0.25	DRAWN	LXH	SIZE:A4	UNIT:mm.	PART. NO:	HA01-N1XX-X1-1	
.000	±0.15	DATE	2018/01/18	SCALE: 1:1		PROJECTION		REV.: A
X.°	±2.00°	CHECKED	LCY	DWG	PATH	C00-0000-0024		PATH 2/3
CUSTOMER DRAWING		DATE	2018/01/18					

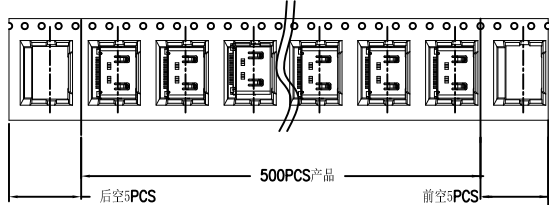


NOTES

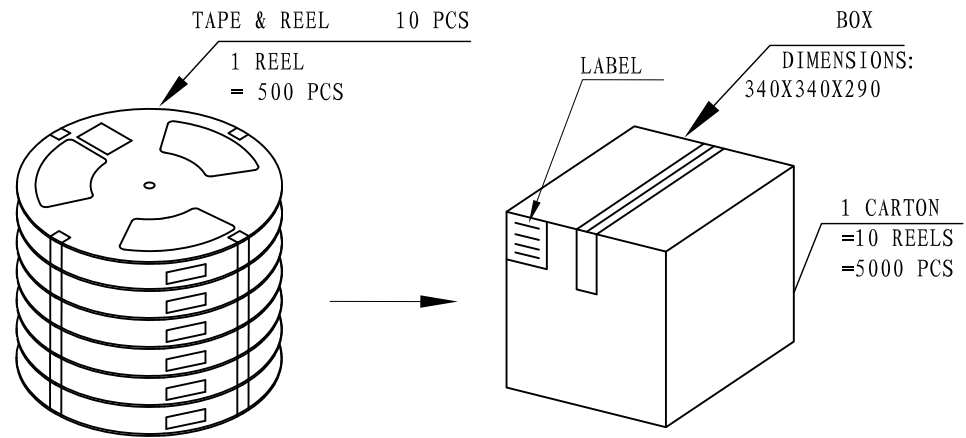
1. 帶子引導長度
LEAD TAPE LENGTH

出料方向
PULL OUT DIRECTEON

出料方向
PULL OUT DIRECTEON



2. 出貨運輸過程中一定注意：
THIS REQUIREMENT SHOULD BE APPLIED AT SHIPMENT：
卷帶在運輸過程中不能散開
PEELING OFF SHOULD NOT BE ALLOWED DURING TRANSPORTATION



包裝明細表 (The detail of the packing)						
產品料號 (Product No.)	包裝容量 (Packing Capacity)			重量 Weight (Kg)		
	pcs/box	boxs/Carton	Pcs/Box	N.W./Pcs	N.W./Box	G.W./Box
HA01-N1XX-X1-1	500	10	5000	—	—	—

TOLERANCE UNSPECIFIED		东莞市韩晶电子有限公司 HANJINGDIANZI			
.0 ±0.35 .00 ±0.25 .000 ±0.15 X. ° ±2.00° CUSTOMER DRAWING		TITLE: HDMI A TYPE 板上型			
DRAWN DATE	LXH 2018/01/18	SIZE:A4	UNIT:mm.	PART. NO: HA01-N1XX-X1-1	
CHECKED DATE	LCY 2018/01/18	SCALE: 1:1	PROJECTION		REV.: A
APPROVED DATE	LCY 2018/01/18	DWG PATH	C00-0000-0024		PATH 3/3