

REV.	DESCRIPTION	NAME	DATE
X1	NEWS ISSUE	LXH	2020.03.07

NOTE:

- MATERIAL SPECIFICATION:
 - HOUSING: HIGH TEMPERATURE RESISTANT PLASTIC, UL94 V-0.
 - CONTACTS: COPPER ALLOY
- PLATING SPECIFICATION:
 - CONTACTS:
 - Ni 50u" MIN. UNDER PLATED OVER ALL.
 - Au PLATED ON THE FUNCTIONAL AREA OF CONTACT. (GOLD PLATING THICKNESS FOLLOW THE P/N)
 - GOLD FLASH PLATING ON SOLDER AREA
 - FRONT SHELL:
 - Ni 30u" MIN. UNDER PLATED OVER ALL.
- MECHANICAL PERFORMANCE,
 - INSERTION FORCE: 0.5~2.0kgf.
 - REMOVAL FORCE: 0.8kgf~2.0kgf.
 - DURABILITY: 10000 CYCLES.
- ELECTRICAL PERFORMANCE,
 - CURRENT RATING: 5.0A
VOLTAGE RATING: 20V
 - INSULATION RESISTANCE: 100MΩ MIN
 - DIELECTRIC WITHSTAND VOLTAGE, AC 100V FOR 1 MINUTE.
 - LOW CONTACT RESISTANCE: INITIAL 40MΩ /AFTER 50MΩ
- ENVIRONMENTAL PERFORMANCE:
 - OPERATING TEMPERATURE: -30°C~+80°C.
- IR REFLOW:
 - THE PEAK TEMPERATURE ON THE BOARD SHALL BE MAINTAINED FOR 10 SECONDS AT 260°C.
- P/N UCR05-X064X-00XR

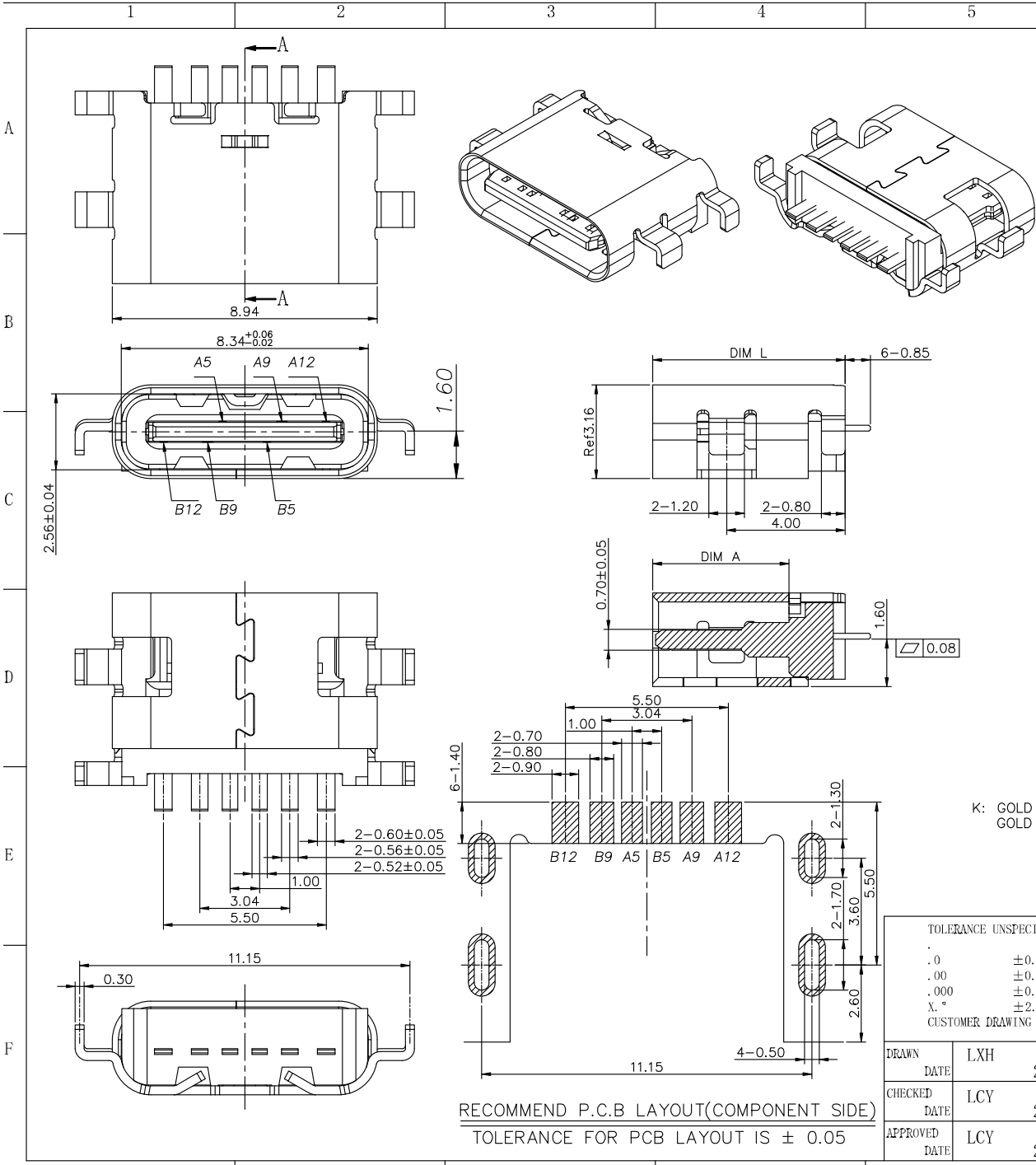
Code	DIM L	DIM A
0	6.80	4.90
1	6.50	4.60

B: Blck USB TYPE-C PIN ASSIGNMENTS
N: NATURE


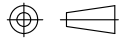
PIN NUMBER	SIGNAL NAME
A5	CC1
A9	VBUS
A12	GND
B12	GND
B9	VBUS
B5	CC2

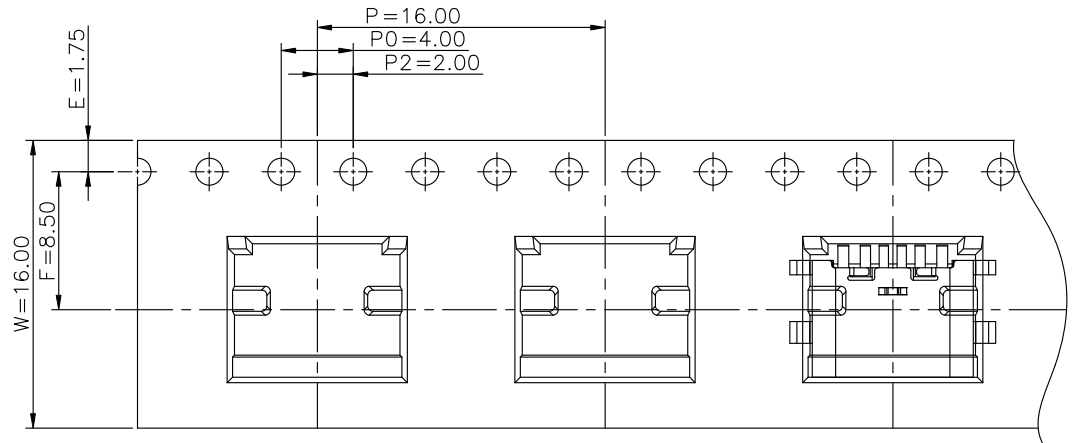
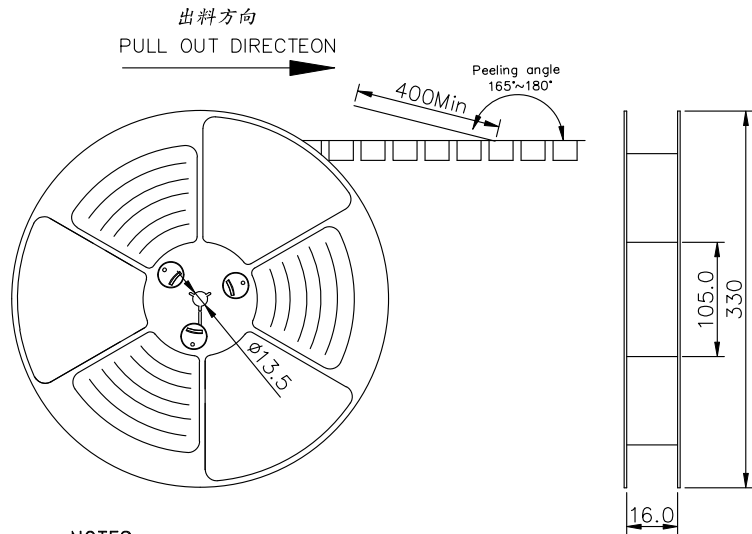
06:06 PIN

K: GOLD FLASH PLATING ON CONTACT AREA,
GOLD FLASH PLATING ON SOLDER AREA



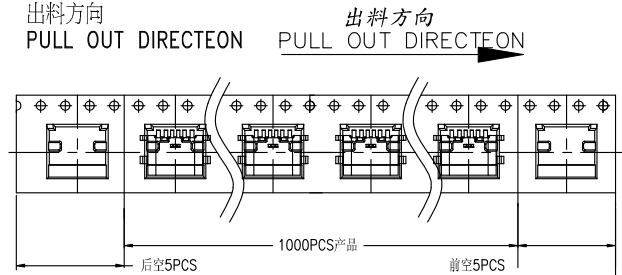
RECOMMEND P.C.B LAYOUT (COMPONENT SIDE)
TOLERANCE FOR PCB LAYOUT IS ± 0.05

TOLERANCE UNSPECIFIED		 东莞市韩晶电子有限公司 Dongguan Hanjing Electronics Limited									
.0	±0.35										
.00	±0.25	TITLE: USB TYPE C 6PIN, 沉板1.60mm									
.000	±0.15	DRAWN	LXH	DATE	2020.03.07	SIZE: A4	UNIT: mm.	PART. NO:	UCR05-X064X-00XR		
X.°	±2.00°	CHECKED	LCY	DATE	2020.03.07	SCALE:	1:1	PROJECTION		REV.:	X1
CUSTOMER DRAWING		APPROVED	LCY	DATE	2020.03.07	DWG	PATH	C00-0000-0063	PATH	1/1	



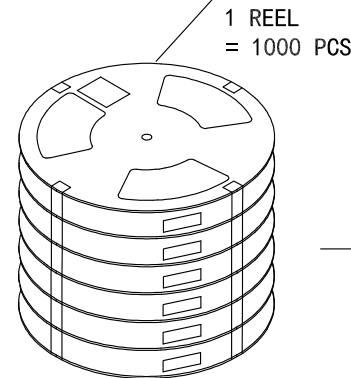
NOTES

1. 帶子引導長度
LEAD TAPE LENGTH
出料方向
PULL OUT DIRECTEON

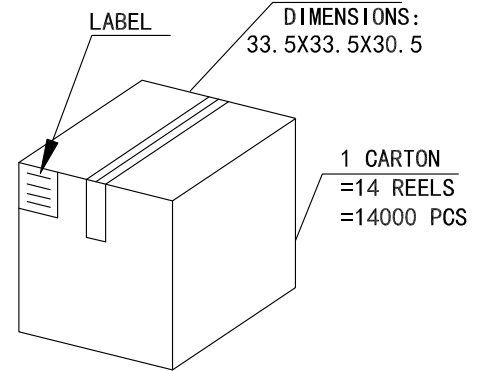


2. 上帶 剝力力為 : 0.1~1.3N(10.2gf~130gf)
PEELING OFF FORCE OF TOP TAPE: 0.1~1.3N(10.2gf~130gf)
出貨運輸過程中一定注意:
THIS REQUIREMENT SHOULD BE APPLIED AT SHIPMENT:
卷帶在運輸過程中不能散開
PEELING OFF SHOULD NOT BE ALLOWED DURING TRANSPORTATION


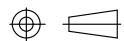
TAPE & REEL 14 PCS



BOX



包明表 (The detail of the packing) Carton						
品料 (Product No.)	包 容 量 (Packing Capacity)			重 量 Weight (Kg)		
	pcs/box	boxs/Carton	Pcs/Box	N.W./Pcs	N.W./Box	G.W./Box
UCR05-X064X-00XR	1000	14	14000	----	----	----

TOLERANCE UNSPECIFIED		 东莞市韩晶电子有限公司 Dongguan Jian'ing Electronics Limited					
.0 ±0.35 .00 ±0.25 .000 ±0.15 X.* ±2.00* CUSTOMER DRAWING		TITLE: USB TYPE C 6PIN, 沉板1.60mm					
DRAWN DATE	LXH 2020.03.07	SIZE:A4	UNIT:mm.	PART. NO: UCR05-X064X-00XR			
CHECKED DATE	LCY 2020.03.07	SCALE: 1:1	PROJECTION			REV.: X1	
APPROVED DATE	LCY 2020.03.07	DWG PATH	C00-0000-0063			PATH	2/2