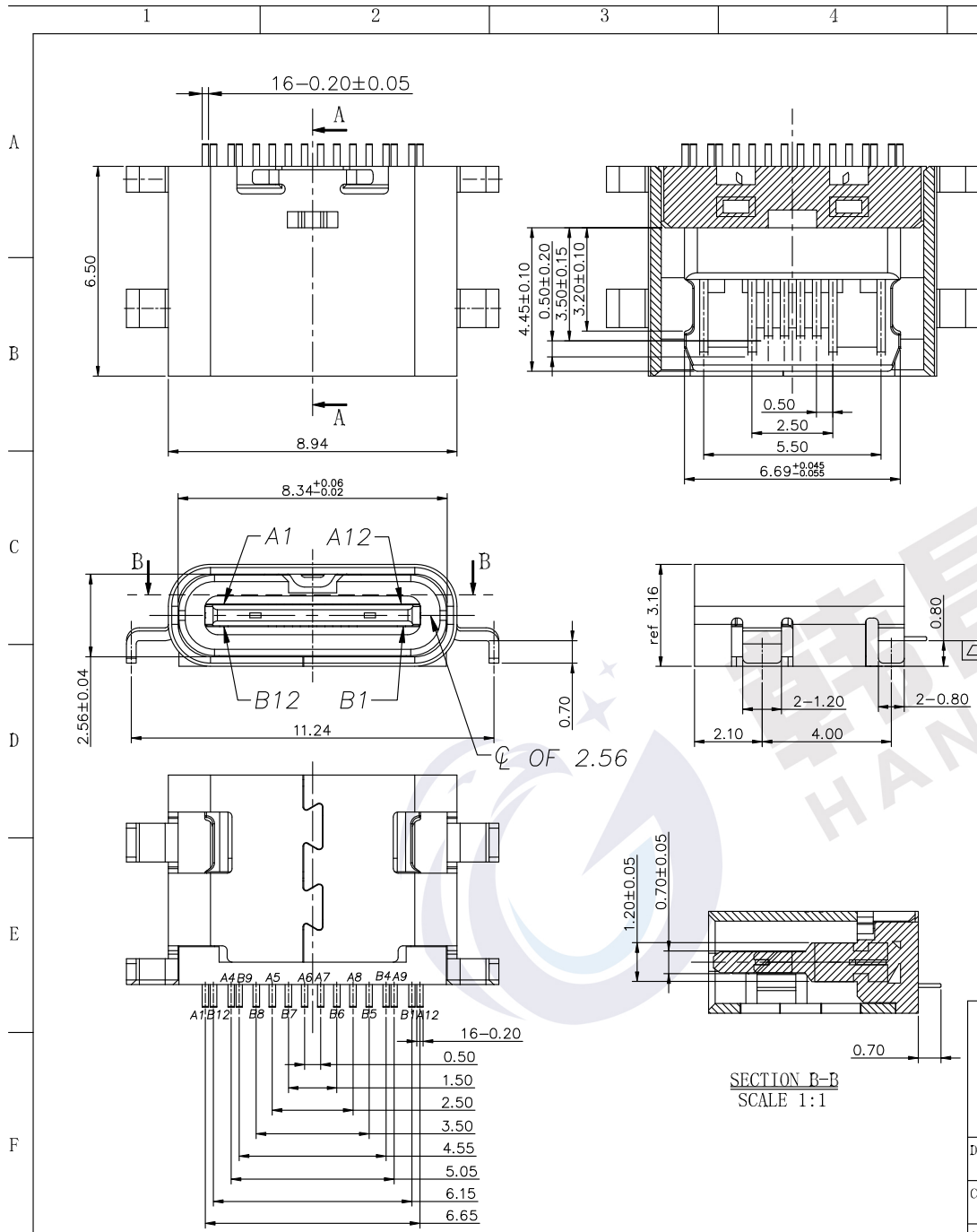

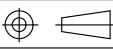


REV.	DESCRIPTION	NAME	DATE
A	NEWS ISSUE	LXH	2018/09/26



NOTE:

- MATERIAL SPECIFICATION:
 - HOUSING: HIGH TEMPERATURE RESISTANT PLASTIC, UL94 V-0.
 - CONTACTS: COPPER ALLOY
 - MID PLATE: STAINLESS STEEL
- PLATING SPECIFICATION:
 - CONTACTS:
 - Ni 50u" MIN. UNDER PLATED OVER ALL.
 - Au PLATED ON THE FUNCTIONAL AREA OF CONTACT. (GOLD PLATING THICKNESS FOLLOW THE P/N)
 - GOLD FLASH PLATING ON SOLDER AREA
 - FRONT SHELL:
 - Ni 30u" MIN. UNDER PLATED OVER ALL.
- MECHANICAL PERFORMANCE,
 - INSERTION FORCE: 0.5~2.0kgf.
 - REMOVAL FORCE: 0.8kgf~2.0kgf.
 - DURABILITY: 10000 CYCLES.
- ELECTRICAL PERFORMANCE,
 - CURRENT RATING: 5A
VOLTAGE RATING: 20V
 - INSULATION RESISTANCE: 100MΩ MIN
 - DIELECTRIC WITHSTAND VOLTAGE, AC 100V FOR 1 MINUTE.
- ENVIRONMENTAL PERFORMANCE:
 - OPERATING TEMPERATURE: -30°C~+80°C.
- IR REFLOW:
 - THE PEAK TEMPERATURE ON THE BOARD SHALL BE MAINTAINED FOR 10 SECONDS AT 260°C.

TOLERANCE UNSPECIFIED .0 ±0.35 .00 ±0.25 .000 ±0.15 X. ° ±2.00° CUSTOMER DRAWING		 东莞市韩晶电子有限公司 Dongguan Hanjin Electronics Co., Ltd.	
DRAWN LXH		DATE 2018/09/26	
CHECKED LCY		DATE 2018/09/26	
APPROVED LCY		DATE 2018/09/26	
SIZE: A4	UNIT: mm.	PART. NO: UCR01-2162X-00XR	
SCALE: 1:1	PROJECTION		REV.: A
DWG PATH	C00-0000-0003	PATH	1/3

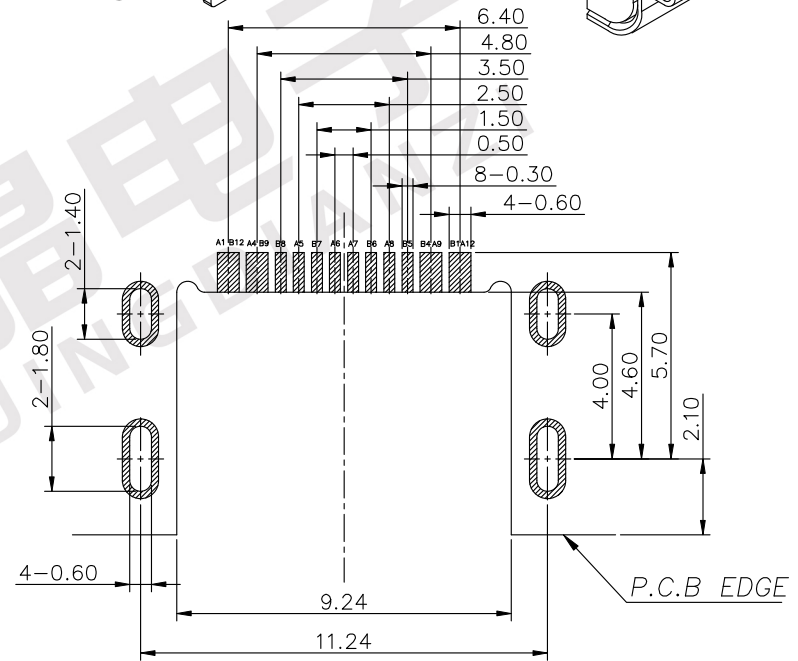
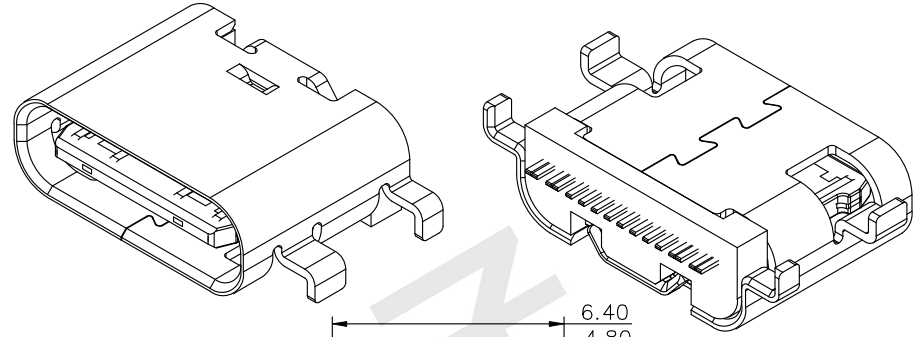
SECTION B-B
SCALE 1:1

7.P/N: UCR01-2162X-00XR

16:16 PIN

B:Blck
N:NATURE

K: GOLD FLASH PLATING ON CONTACT AREA,
GOLD FLASH PLATING ON SOLDER AREA
L: 3u" GOLD PLATING ON CONTACT AREA,
GOLD FLASH PLATING ON SOLDER AREA

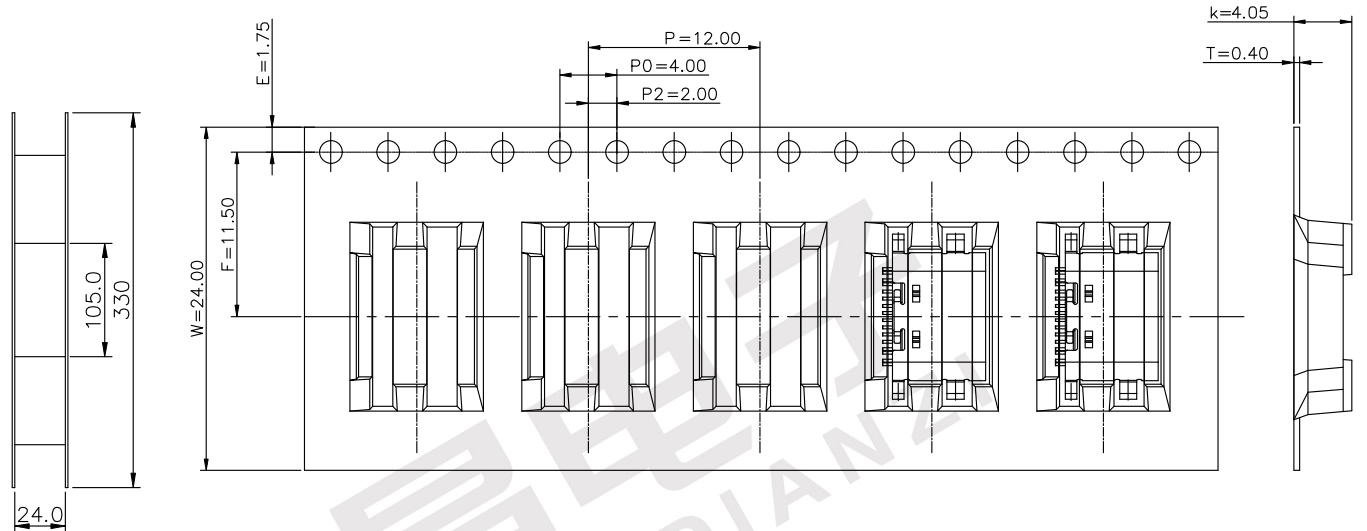
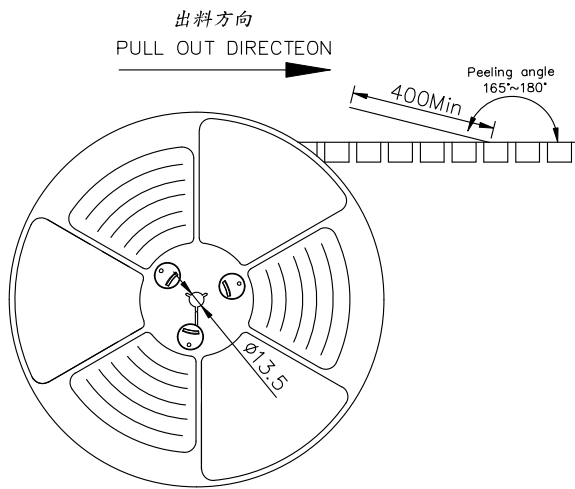


USB TYPE-C PIN ASSIGNMENTS

PIN NUMBER	SIGNAL NAME	PIN NUMBER	SIGNAL NAME
A1	GND	B12	GND
A4	VBUS	B9	VBUS
A5	CC1	B8	SBU2
A6	Dp1	B7	Dn2
A7	Dn1	B6	Dp2
A8	SBU1	B5	CC2
A9	VBUS	B4	VBUS
A12	GND	B1	GND

RECOMMEND P.C.B LAYOUT(COMPONENT SIDE)
TOLERANCE FOR PCB LAYOUT IS ± 0.05

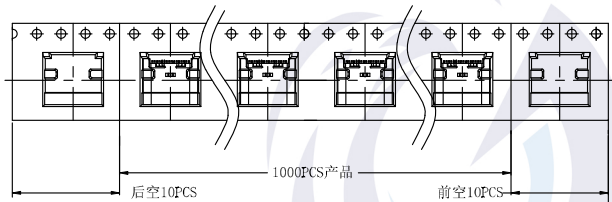
TOLERANCE UNSPECIFIED		东莞市韩晶电子有限公司 Dongguan Hanjin Electronics Co., Ltd.			
.0 ±0.35		TITLE: USB TYPE C 16PIN, L-6.50mm			
.00 ±0.25		沉板0.80mm			
.000 ±0.15		DRAWN LXH		SIZE: A4	UNIT: mm.
X. ° ±2.00°		DATE 2018/09/26		PART. NO: UCR01-2162X-00XR	
CUSTOMER DRAWING		CHECKED LCY		SCALE: 1:1	PROJECTION
		DATE 2018/09/26		DWG PATH	REV.: A
		APPROVED LCY		C00-0000-0003	PATH 2/3
		DATE 2018/09/26			



NOTES

1. 帶子引導長度
LEAD TAPE LENGTH

出料方向
PULL OUT DIRECTEON



2. 上帶剝力為: 0.1~1.3N(10.2gf~130gf)
PEELING OFF FORCE OF TOP TAPE: 0.1~1.3N(10.2gf~130gf)

出貨運輸過程中一定注意:
THIS REQUIREMENT SHOULD BE APPLIED AT SHIPMENT:
卷帶在運輸過程中不能散開
PEELING OFF SHOULD NOT BE ALLOWED DURING TRANSPORTATION

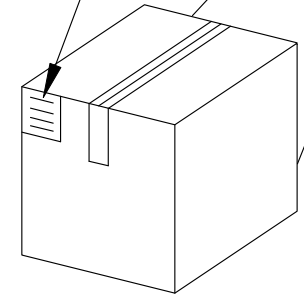
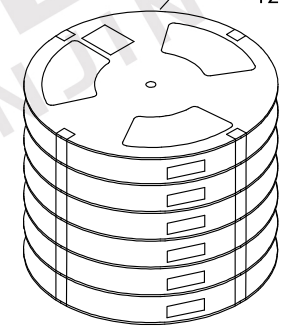
TAPE & REEL 10 PCS

1 REEL
= 1200 PCS

BOX

DIMENSIONS:
33.5X33.5X30.5

1 CARTON
=10 REELS
=12000 PCS



TOLERANCE UNSPECIFIED	
.0	±0.35
.00	±0.25
.000	±0.15
X.*	±2.00*
CUSTOMER DRAWING	

东莞市韩晶电子有限公司
Dongguan Hanjin Electronics Co., Ltd.

TITLE: USB TYPE C 16PIN, L-6.50mm
沉板0.80mm

包明表 (The detail of the packing) Carton

品料 (Product No.)	包容量 (Packing Capacity)			重量 Weight (Kg)		
	pcs/box	boxs/Carton	Pcs/Box	N.W./Pcs	N.W./Box	G.W./Box
UCR01-2162X-00XR	1200	10	12000	----	----	----

DRAWN DATE	LXH	2018/09/26	SIZE: A4	UNIT: mm.	PART. NO:	UCR01-2162X-00XR	
CHECKED DATE	LCY	2018/09/26	SCALE: 1:1	PROJECTION			REV.: A
APPROVED DATE	LCY	2018/09/26	DWG PATH	C00-0000-0003		PATH	3/3