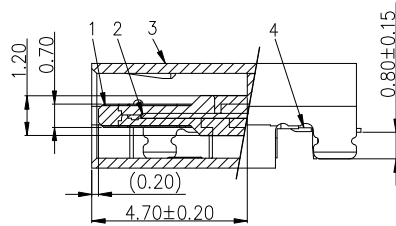
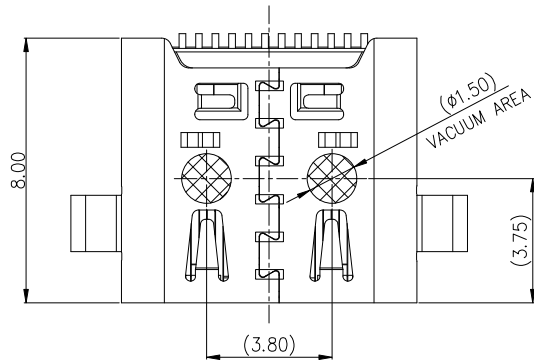


GP Component

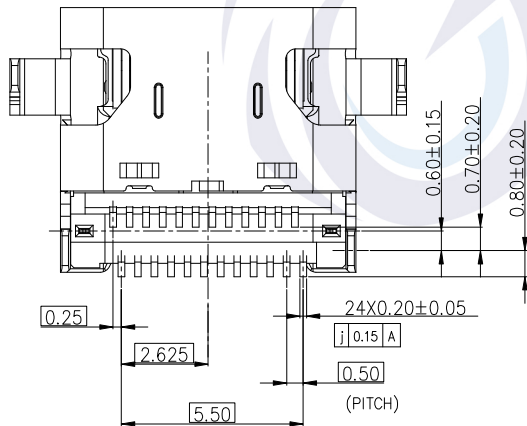
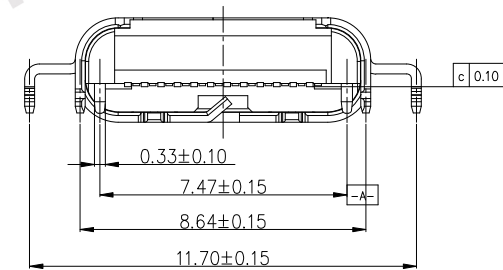
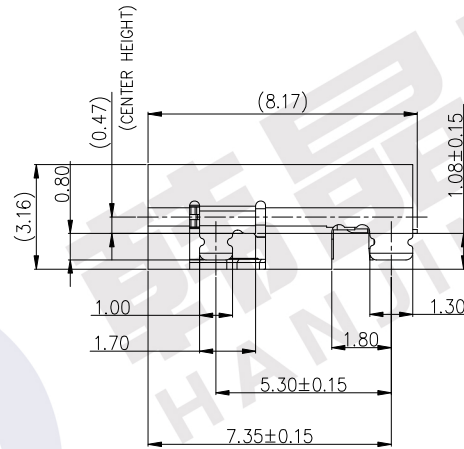
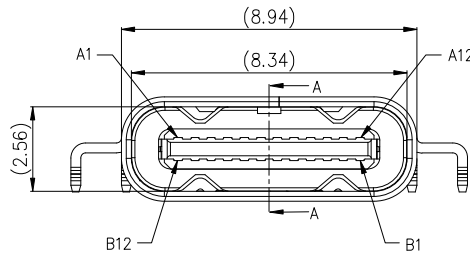
REV.	ECN NO.	LOCATIONS	DESCRIPTION	DATE	DESIGN
A0			原始版本(INITIAL EDITION)	2020.12.15	LIUJUN



NOTE/注释:

1. SPECIFICATION/规格:

- 1.1 Rated current (额定电流): 5.0 A
- 1.2 Voltage rating (额定电压): 5V AC
- 1.3 Contact Resistance (接触阻抗): 40 m Ω Max.
- 1.4 Insulation Resistance (绝缘阻抗): 100M Ω Min.
- 1.5 Withstanding voltage (耐压): 100 VAC/minute
- 1.6 Mating force (插入力): 5~20N .
- 1.7 Unmating force (拔出力): 8~20N.
- 1.8 Durability Cycle (寿命循环): 10,000 cycle
- 1.9 Operating temperature (工作温度): -40~+85°



PART NO.

126-F243223 * - B81

- H=镀金1u"
- J=镀金3u"
- K=镀金5u"
- M=镀金15u"
- N=镀金30u"

PIN ASSIGNMENT

A1	A2	A3	A4	A5	A6	A7	A8	A9	A10	A11	A12
GND	TX1+	TX1-	Vbus	CC1	D+	D-	SBU1	Vbus	RX2-	RX2+	GND
B12	B11	B10	B9	B8	B7	B6	B5	B4	B3	B2	B1
GND	RX1+	RX1-	Vbus	SBU2	D-	D+	CC2	Vbus	TX2-	TX2+	GND

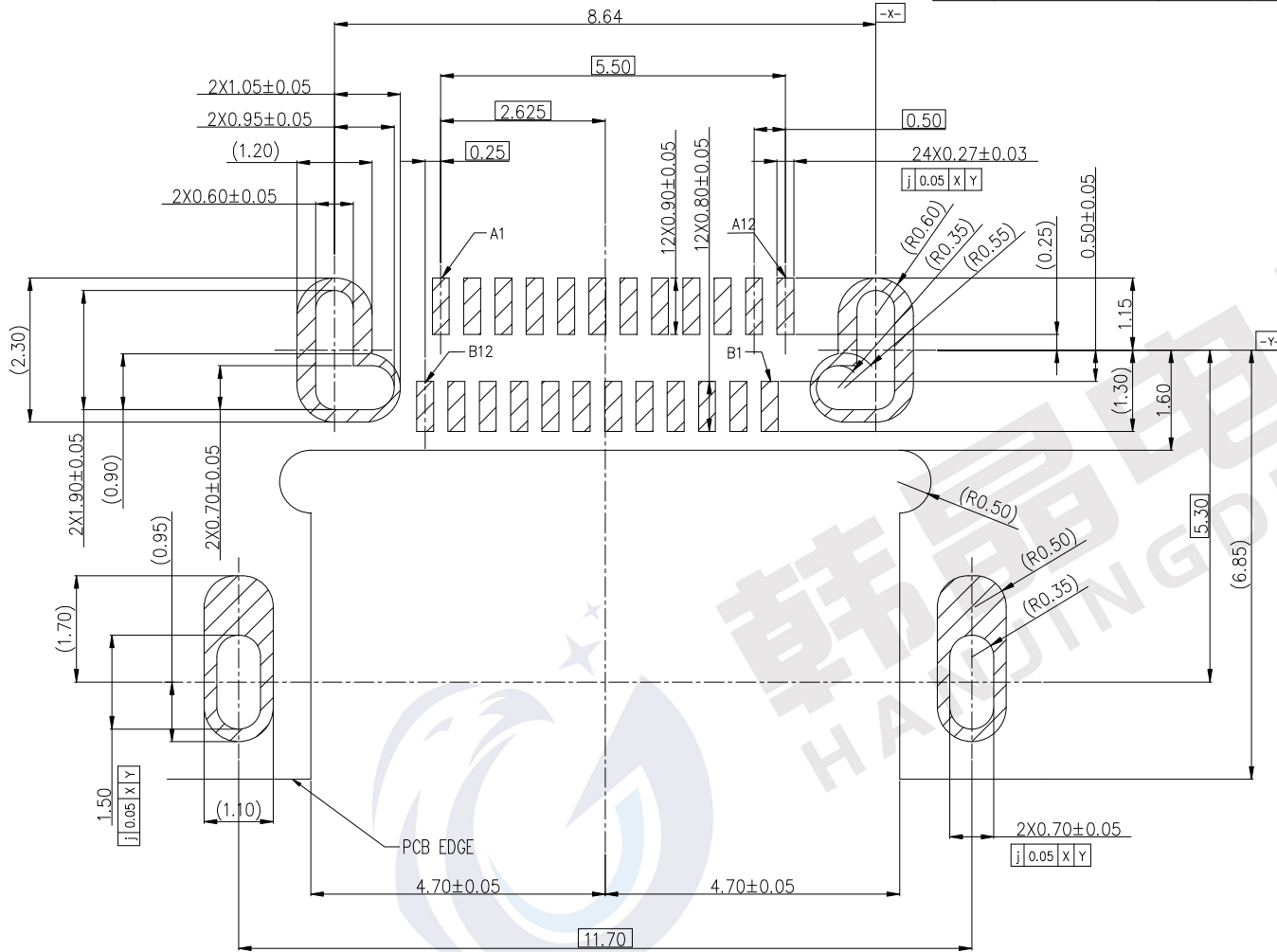


东莞市韩晶电子有限公司

TOLERANCE: X. ±0.30 X.X ±0.25 X.XX ±0.20 X.XXX ±0.15 X.* ±1* X.X* ±0.5*	DESIGN BY :	DATE :	PART NAME: USB4 Type C 母座 无后盖 单壳 双贴SMT 沉板插IP 脚CH=0.5,L=8.17
	LIUJUN	2020.12.15	
 UNIT: mm [inch]	CHECKED BY :	DATE :	PART NO. 126-F243223 * - B81
	APPROVED BY :	DATE :	MOLD NO.
SCALE: 1:1	SIZE: A4		DRAW NO.
			SHEET NO. 01 OF 03

GP Component

REV.	ECN NO.	LOCATIONS	DESCRIPTION	DATE	DESIGN
A0			原始版本(INITIAL EDITION)	2020.12.15	LIUJUN



ITEM	DESCRIPTION	Q'TY	MATERIAL	FINISH	REMARK
4	TERMINAL	24	COPPER ALLOY	MATING SIDE:SEE PART NO; SOLDER TAIL:Gold FLASH, 50u" NICKEL OVERALL.	T=0.12
3	SHELL	1	SUS304	30U" NICKEL PLATING	T=0.30
2	MID PLATE	1	SUS301-H	30U" NICKEL PLATING	T=0.15
1	MAIN HOUSING	1	HIGH TEMPERATURE	PA9T BLACK	UL94V-0
BILL OF MATERIAL					



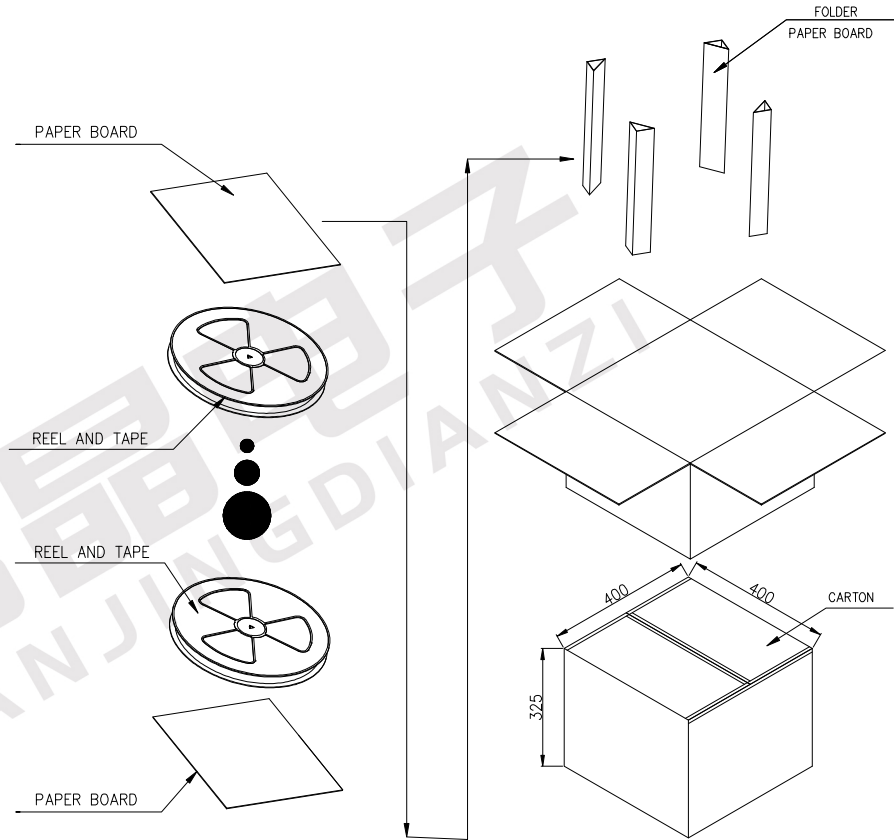
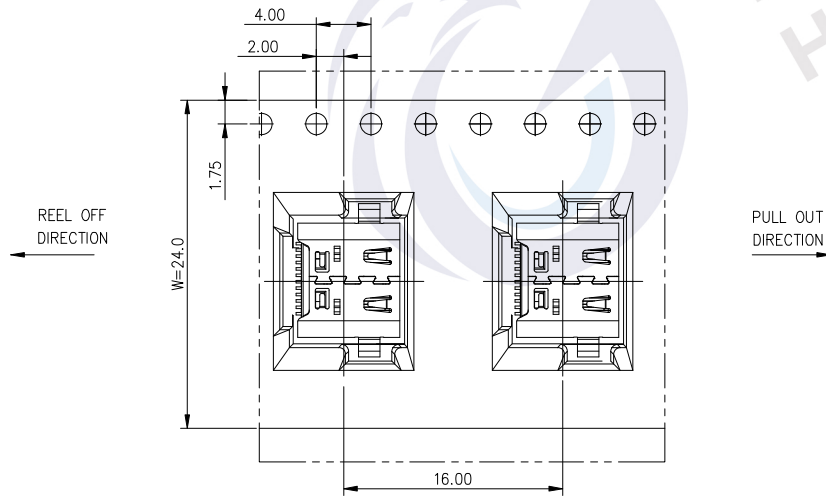
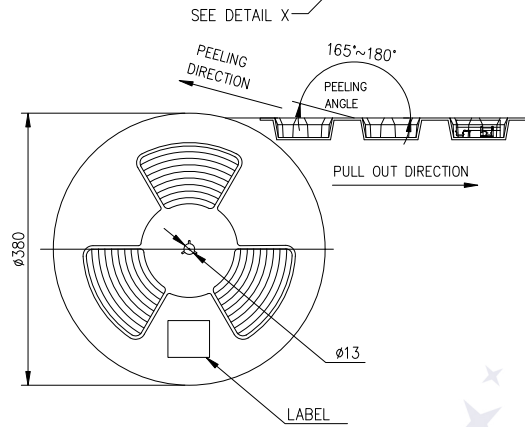
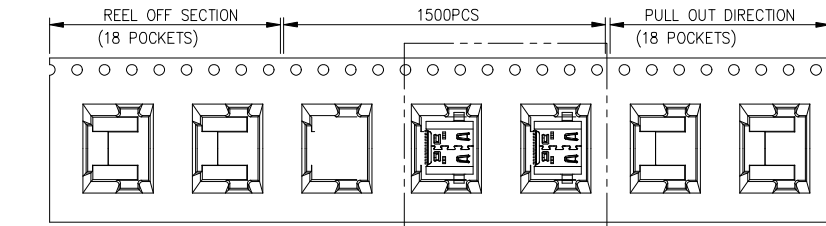
东莞市韩晶电子有限公司

TOLERANCE: X. ±0.25 X.X ±0.20 X.XX ±0.15 X.XXX ±0.10 X." ±1" X.X" ±0.5"	DESIGN BY : LIUJUN	DATE : 2020.12.15	PART NAME: USB4 Type C 母座 无后盖 单壳 双贴SMT 沉板初IP 牌CH=0.5,L=8.17
CHECKED BY:	DATE :	PART NO. 126-F243223 * - B81	MOLD NO.
APPROVED BY:	DATE :	DRAW NO.	SHEET NO. 02 OF 03

UNIT: mm [inch] SCALE: 1:1 SIZE: A4

GP Component

REV.	ECN NO.	LOCATIONS	DESCRIPTION	DATE	DESIGN
AO			原始版本(INITIAL EDITION)	2020.12.15	LIUJUN



	REEL	CARTON
CONNECTOR (PCS)	1500	15000



东莞市韩晶电子有限公司

TOLERANCE: X. ±0.25 X.X ±0.20 X.XX ±0.15 X.XXX ±0.10 X.* ±1* X.X* ±0.5*	DESIGN BY :	DATE :	PART NAME:	
	LIUJUN	2020.12.15	USB4 Type C 母座 无屏蔽 单壳 双贴SMT 沉板插DIP脚CH=0.5,L=8.17 包装规格	
 UNIT: mm [inch] SCALE: 1:1 SIZE: A4	CHECKED BY:	DATE :	PART NO.	126-F243223 * - B81
	APPROVED BY:	DATE :	MOLD NO.	
			DRAW NO.	
			SHEET NO.	03 OF 03